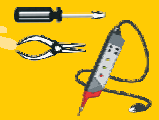


Electronic Training Equipment & Breadboard / Accessories



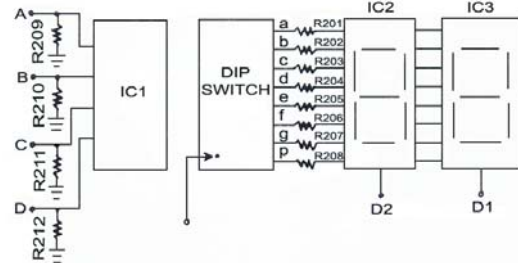
Digital Lab IDL-800A



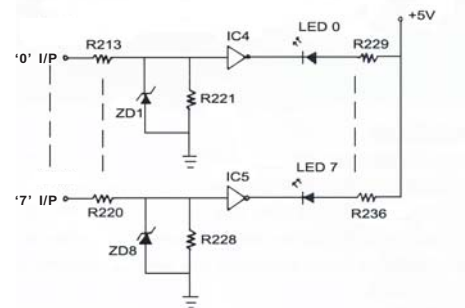
Specification

- Solderless breadboard : AD-200**
Interconnected nickel plated contact socket with a total of 1896 tie points fits all components with DP size and solid wire in diameter of AWG #22-30 (0.3~0.8 mm)
- DC power supply**
Variable DC power :
Positive output voltage : 0~+15V±10%
Negative output voltage : 0~-15V±10%
Maximum output current : 300 mA.
Line regulation : <0.05%/V (Ta=25°C)
Load regulation : <30mV (Ta=25°C)
Fixed power supply :
Positive output voltage : +5V±10%
Maximum output current : 1 Amp.
Line regulation : <50mV.
Load regulation : <100mV.
Negative output voltage : -5V±10%
Maximum output current : 100mA
Line regulation : <25mV.
Load regulation : <30mV.
All DC power supplies with short circuit protection.
- Function generator :**
Frequency ranges : 0.1Hz~2 Hz
(6 ranges) 1 Hz~20 Hz
 10 Hz~200 Hz
 100 Hz~2 KHz
 1 KHz~20 KHz
 10 KHz~200 KHz
Sine wave output : 0~5Vpp±10% variable
Triangle wave output : 0~5Vpp±10% variable
Square wave output : 0~15Vpp±10% variable
TTL mode output : +5V±10%
- Digital voltmeter :**
3½ digits LED display.
4 ranges: 0~199.9V full scale
 0~19.99V full scale
 0~1.999V full scale
 0~199.9mV full scale
Input impedance : 10MΩ for any range.
- Universal counter**
(1) Frequency range : 1Hz~99.999999 MHz;
 10Hz~100.000000 MHz
(2) Period range TH&TL : 0.01μs~999999.99μs ;
 1μs~99.999999μs
(3) Input signal: TTL or CMOS level or any level (Vmin≥+2.3Vp±10%)
(4) Display : 8-digital 7-segment LED display
(5) Counter switch : External/internal

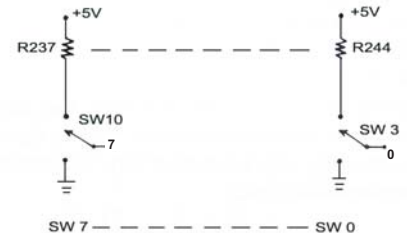
- Two digits of 7 segment LED display :
Common cathode operation



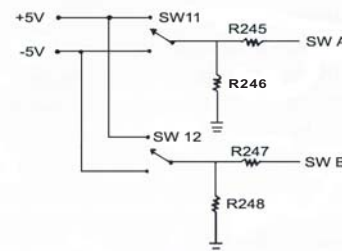
- Four point tip / banana socket / BNC socket exchange adapters
- Eight buffered LED displays :



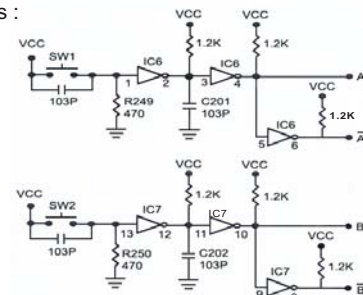
- Eight data switches :



- Two function switches :



- Two pulse switches :



- Dimensions : 480 x 360 x 200 mm (L x W x H)

- Weight : 4.2kg